

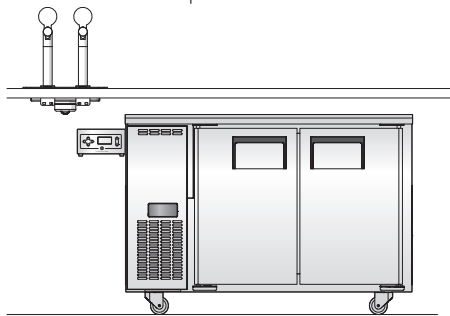
# Installation Overview

## General placement of components

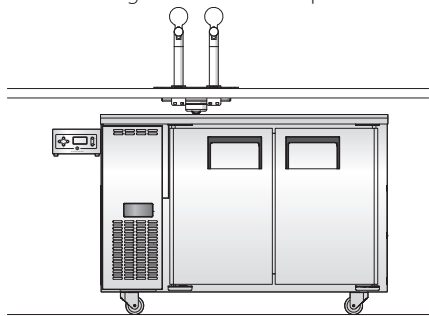
D00151 A02 1/4

### General Layout

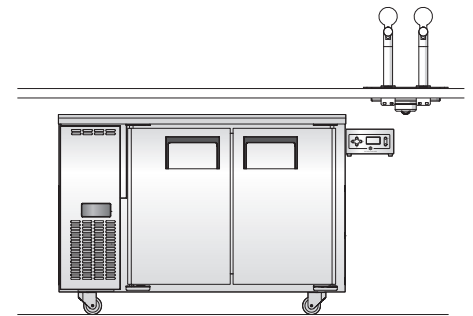
The Dispenser may be placed to the left, right or directly above the Chiller. The Control Unit is most commonly mounted on the side of the Chiller that is closest to the Dispenser. It can however be set elsewhere so long as the maximum permissible distances and clearances are observed.



Dispenser to the left of the Chiller



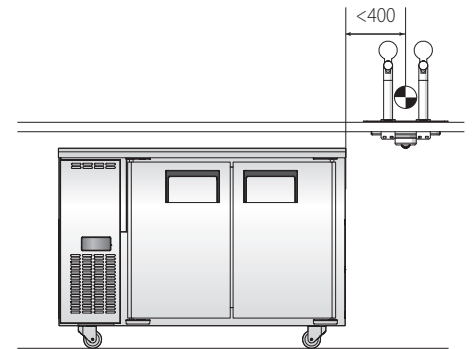
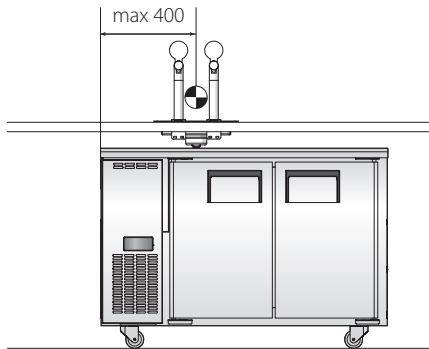
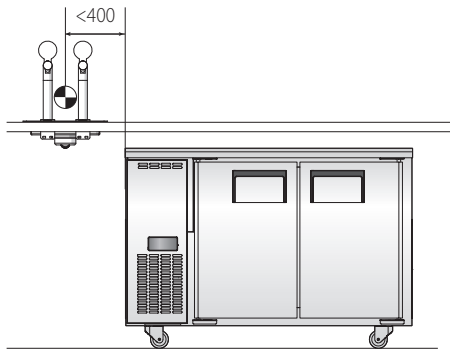
Dispenser above the Chiller



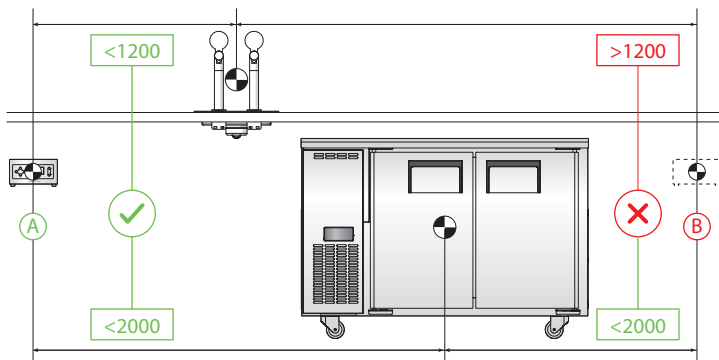
Dispenser to the right of the Chiller

### Maximum permissible distances

The maximum distance between the Dispenser and Chiller is 400mm, measured from the centre of the Dispenser to the closest edge of the Chiller.



The maximum distance between the Dispenser and Control Unit is 1.2 meters. The Control Unit must be no more than 2 meters from the Chiller measured from the centre of the Control Unit to the centre of the Chiller. In the example below both locations of the Control Unit are valid relative to the Chiller (less than 2 metres away measured between centres), but only position A is valid relative to the Dispenser (position A is less than 1.2 metres from the Dispenser but position B is greater than 1.2 metres from the Dispenser).

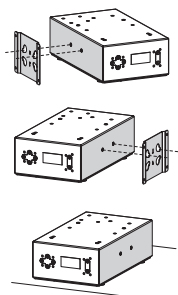


#### Mounting bracket and rubber feet

The mounting bracket supplied can be used on either side of the Control Unit and can be fixed to the side of the Chiller.

The mounting bracket can also be fixed to a vertical wall inside adjacent joinery for example.

Rubber feet on the bottom of the controller mean you can also sit it on a shelf.



# Installation Guidelines

## Freepour Single and Freepour Tall Single (Button)

D00151 A02 2/4

### Freepour Single

Button activation version  
For hands free version see Contactless Sensor version



### Freepour Tall Single

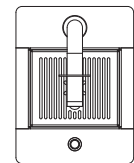
Button activation version  
For hands free version see Contactless Sensor version



### Placement of the Dispenser

There is no set distance that the Dispenser needs to be relative to the edge of the bench.

Consider that the height of the bench and how far the Dispenser is placed in from the edge of the bench will effect access to the Dispenser for people of different heights.



No set distance recommended from the edge of the bench. Consider access for all users.

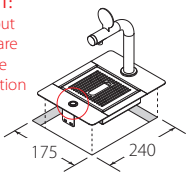
Dimensions shown are in millimetres

### Installing the Dispenser

A rectangular hole in the bench must be provided for the Dispenser.

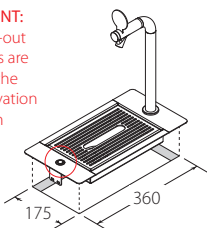
#### Size of cut-outs required:

**IMPORTANT:** These cut-out dimensions are only for the Button activation version



**Freepour Single (Button)**  
Hole size: 175 x 240 mm

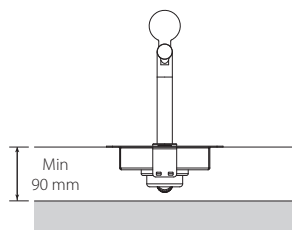
**IMPORTANT:** These cut-out dimensions are only for the Button activation version



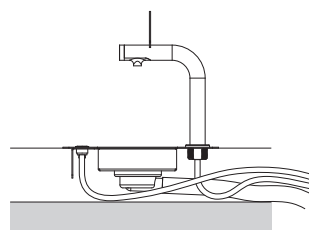
**Freepour Tall Single (Button)**  
Hole size: 175 x 360 mm

### Clearance under the sink

Space below the Dispenser is required. Note that this distances is measured from the TOP surface of the bench to the top of the next object below and is the same for all versions of Freepour Single dispensers.



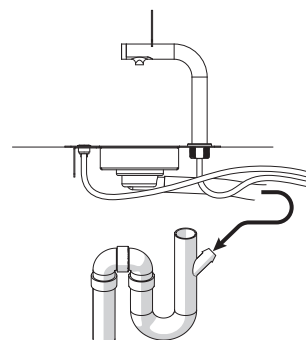
Front View



Side View

### Drainage

The drain in the Freepour dispenser sink is connected to the site drain by a flexible PVC drainhose supplied with the unit. The drainhose carries accidental spillage and end of day cleaning routine fluid.

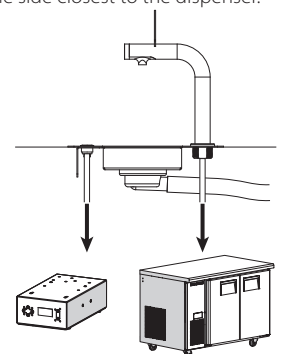


To reduce the likelihood of blockages care should be taken when designing the site drainage plumbing so that the end of the drain hose cannot be submerged in fluid in the s-trap or p-trap and that the trap cannot be filled with material from another sink that cannot easily drain away.

### Product Lines & Data Cables

Flexible lines run between the Dispenser, Control Unit and Chiller.

The fluid product lines that run between the taps and Chiller exit the Chiller through the top rear corner on the side closest to the dispenser.



### Long Lines

If you are planning to install the Dispenser and/or Control Unit further than the recommended distance from the Chiller, please contact us to discuss the pros and cons of this type of installation.

# Installation Guidelines

## Freepour Double and Freepour Tall Double (Button)

D00151 A02 3/4

### Freepour Double

Button activation version  
For hands free version see Contactless Sensor version



### Freepour Tall Double

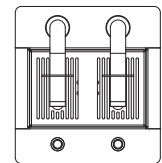
Button activation version  
For hands free version see Contactless Sensor version



### Placement of the Dispenser

There is no set distance that the Dispenser needs to be relative to the edge of the bench.

Consider that the height of the bench and how far the Dispenser is placed in from the edge of the bench will effect access to the Dispenser for people of different heights.



No set distance recommended from the edge of the bench. Consider access for all users.

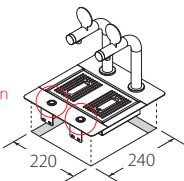
Dimensions shown are in millimetres

### Installing the Dispenser

A rectangular hole in the bench must be provided for the Dispenser.

#### Size of cut-outs required:

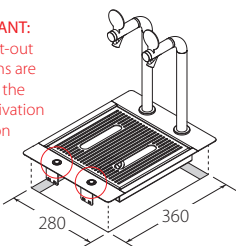
**IMPORTANT:** These cut-out dimensions are only for the Button activation version



#### Freepour Double (Button)

Hole size: 220 x 240 mm

**IMPORTANT:** These cut-out dimensions are only for the Button activation version

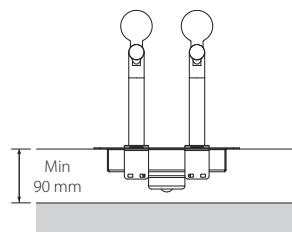


#### Freepour Tall Double (Button)

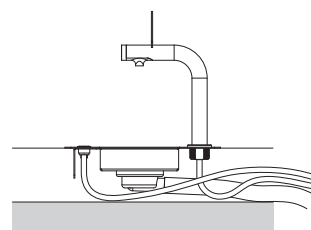
Hole size: 280 x 360 mm

### Clearance under the sink

Space below the Dispenser is required. Note that this distance is measured from the TOP surface of the bench to the top of the next object below and is the same for all versions of Freepour Single dispensers.



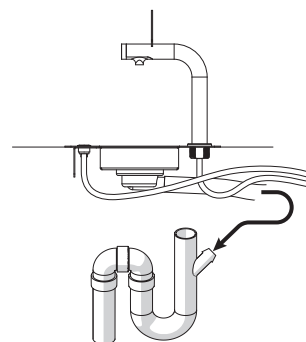
Front View



Side View

### Drainage

The drain in the Freepour dispenser sink is connected to the site drain by a flexible PVC drainhose supplied with the unit. The drainhose carries accidental spillage and end of day cleaning routine fluid.

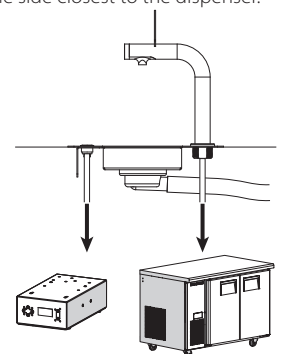


To reduce the likelihood of blockages care should be taken when designing the site drainage plumbing so that the end of the drain hose cannot be submerged in fluid in the s-trap or p-trap and that the trap cannot be filled with material from another sink that cannot easily drain away.

### Product Lines & Data Cables

Flexible lines run between the Dispenser, Control Unit and Chiller.

The fluid product lines that run between the taps and Chiller exit the Chiller through the top rear corner on the side closest to the dispenser.



### Long Lines

If you are planning to install the Dispenser and/or Control Unit further than the recommended distance from the Chiller, please contact us to discuss the pros and cons of this type of installation.

# Services and Dimensions

## Freepour Dispensers (Button), Control Unit and Chillers

D00151 A02 4/4

### Services

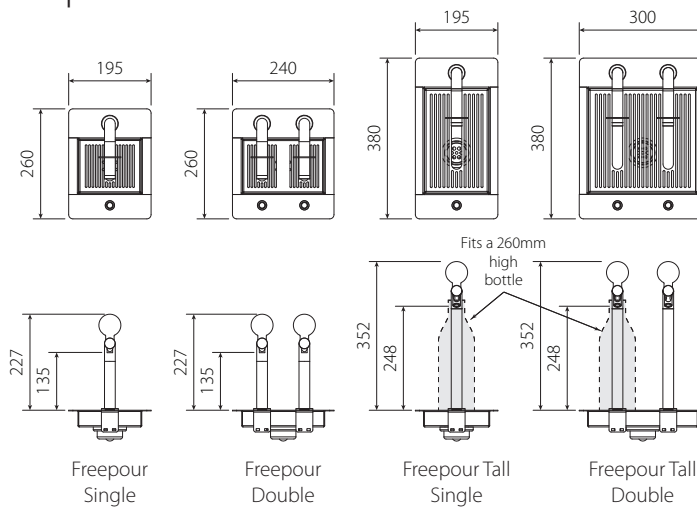
Freepour requires:

- **Power:** 2\* x 10A GPO's  
1 x GPO for each Control Unit  
1 x GPO for the Chiller Control Unit: 100W  
Chiller: 314W

- **Drain:** Access to a drain  
We supply flexible PVC hose to connect the drain (located in Dispenser sink) to the site drain.

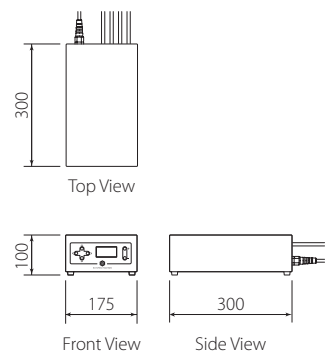
Note that the Data Cables mentioned in the product specifications do not connect to the site network therefore Freepour does not need a network outlet.

### Dispenser Dimensions



Please contact us for dimensions of Freepour Custom dispensers with 3 or more taps or for Contactless Sensor operated versions.

### Control Unit

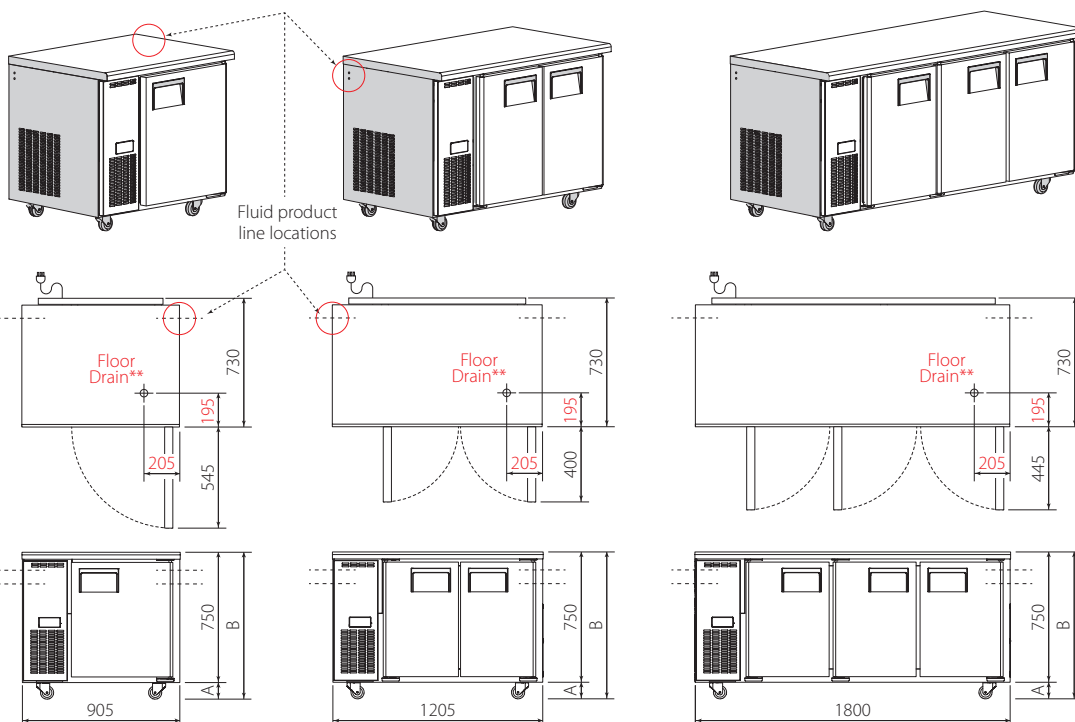


- \* The Control Unit can drive a maximum of 2 taps. A system with 1 to 2 taps will require 1 Control Unit. A system with 3 to 4 taps will require 2 Control Units

### One Door

### Two Door

### Three Door



### Height Options

The Chiller can be installed on castors or directly on a plinth.

*We recommend against plinth installations because of the inherent risk of fluid tracking under the Chiller and becoming trapped between the Chiller and plinth.*

*This risk is greater if a floor pan style drain has not been installed in the plinth.*

**\*\* Not all chillers are shipped with a floor drain.**

We offer two styles of castors to accommodate different bench heights. For height options refer to the dimensions labelled as A and B in the dimensioned drawings and the table below.

	A	B
Standard Castors	95	845
Short Castors	30	780
Plinth	NA	750

Dimensions shown are in millimetres.